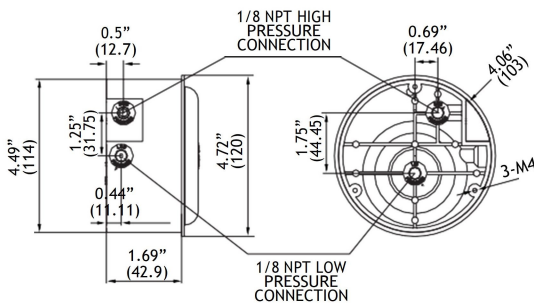


# Series G2000

## Low-Cost Differential Pressure Gauge



### DIMENSIONS



### SPECIFICATIONS

**Pressure Limits:** -20" Hg to 15 PSI (-0.677 bar to 1.034 bar)

**Media Compatibility:** Air and compatible gasses

**Accuracy:** +/- 2% full scale (+/- 3% on -0 and +/- 4% on -00) throughout range at 70° F (21° C)

**Temperature Ranges:** 20° to 140° F (-7° to 60° C)

**Housing Material:** Die cast aluminum case and bezel, with acrylic cover

**Process Connection:** 1/8" female NPT duplicate high and low pressure taps - one pair side and one pair back.

**Weight:** 1 lb 2 oz (510 g)

**Accessories:** Two 1/8" NPT barbed fittings, two 1/8" NPT plugs, and three mounting tabs and screws

**Warranty:** 1 years

**Approvals:** RoHS, CE

- Mounts in Industry Standard Holes
- Accuracy 2%
- Die Cast Aluminum Housing (G2000)

The Series G2000 differential pressure gauges are low-cost, diaphragm operated, mechanical pressure gauges. The G2000 gage can be used in applications for measuring positive, negative, or differential pressure with a very good accuracy. Standard applications include monitoring filter status, duct static pressure, room pressure, fan or blower pressure, paint booths, dust collectors, and cabinet purging along with many others.

### MODEL NUMBERS

Model Number	Pressure Range	Model Number	Pressure Range	Model Number	Pressure Range
Inches w.c.		Zero Center Inches w.c.		mm w.c.	
G2000-00	0 - 0.25"	G2300-0	0.25 - 0-0.25"	G2000-6MM	0 - 6
G2000-0	0 - 0.5"	G2301	0.5 - 0 - 0.5"	G2000-10MM	0 - 10
G2001	0 - 1"	G2302	1 - 0 - 1"	G2000-25MM	0 - 25
G2002	0 - 2"	G2304	2 - 0 - 2"	G2000-50MM	0 - 50
G2003	0 - 3"	G2310	5 - 0 - 5"	G2000-100MM	0 - 100
G2004	0 - 4"	G2320	10 - 0 - 10"	G2000-250MM	0 - 250
S2005	0 - 5"	Pa / kPa		Zero Center mm w.c.	
G2006	0 - 6"	G2000-60PA	0 - 60	G2300-12MM	6 - 0 - 6
G2008	0 - 8"	G2000-125PA	0 - 125	G2300-20MM	10 - 0 - 10
G2010	0 - 10"	G2000-250PA	0 - 250	G2300-50MM	25 - 0 - 25
G2015	0 - 15"	G2000-500PA	0 - 500	Dual Scale Inches w.c. and Pa or kPa	
G2020	0 - 20"	G2000-750PA	0 - 750	G2000-00D	0-0.25" / 0 - 60
G2025	0 - 25"	G2000-1KPA	0 - 1	G2000-0D	0-0.5" / 0 - 125
G2030	0 - 30"	G2000-1.5KPA	0 - 1.5	G2001D	0 - 1" / 0 - 250
G2050	0 - 50"	G2000-2KPA	0 - 2	G2002D	0 - 2" / 0 - 500
G2100	0 - 100"	Zero Center Pa		G2003D	0 - 3" / 0 - 750
<b>Options:</b>		G2300-60PA	30 - 0 - 30	G2004D	0-4" / 0 - 1000
- ASF Adjustable Signal Flag		G2300-120PA	60 - 0 - 60	G2006D	0 - 6" / 0 - 1.5
- CH Chrome Bezel		G2300-250PA	125 - 0 - 125	G2008D	0 - 8" / 0 - 2.0
- LT Low Temperature to -20° F (-29° C)		For other pressure ranges or custom scales, contact factory		G2010D	0 - 10" / 0 - 2.5
				G2020D	0 - 20" / 0 - 5.0

### ACCESSORIES

- Static Pressure Tip with barbed connection
- Air Filter Kit
- Surface Mounting Bracket
- Hanging Bracket / Stand
- Short Shut Off Valve
- Long Shut Off Valve
- Vinyl Tubing 5 feet

