

# Combustible Gases Transmitter E2618-LEL



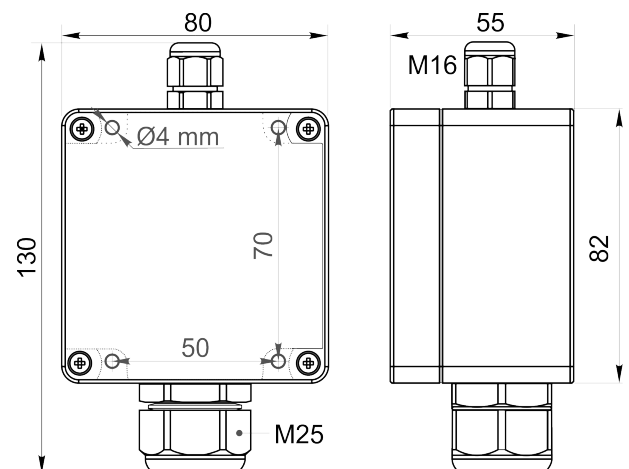
## Features

- Wall-mount or duct-mount version
- Industrial IP65 housing
- Two analog outputs settable to 4-20 mA or 0-10 V
- RS485 Modbus RTU digital interface
- Attached or remote sensor

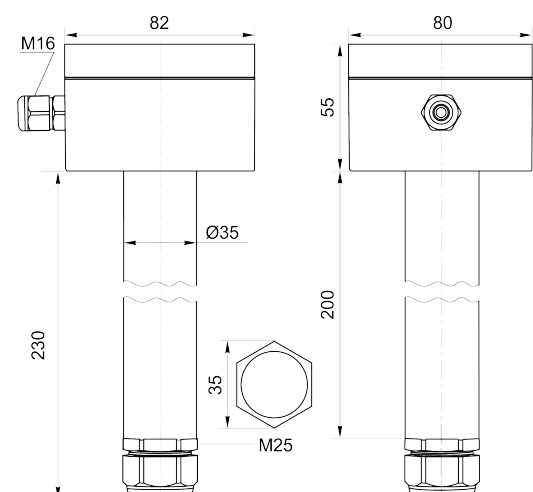
## Specifications

Detected gases	Hydrogen, methane, acetylene, propane, butane, hexane, octane	
Default calibration	Methane CH <sub>4</sub>	
Sensor type	Metal-oxide semiconductor Pellistor (catalytic bead) on demand	
Sampling method	Diffusion	
Sensor	MOS	Pellistor
Typical detection range	0...100% LEL	0...100% LEL
Resolution	0.1% LEL	1% LEL
Response time T90	ca. 60 s	≤10 s
Sensor lifetime	> 5 years	> 5 years
Maintenance interval	12 months	6 months
Operating temperature	-40...+70 °C	-40...+70 °C
Signal update	Every 1 second	
Self-diagnostics	Full functionality check at start-up	
Warm-up time	≤ 1 min	
Power supply	12...36 VDC (default) 24 VAC as option	
Power consumption	< 2 VA	
Digital interface	RS485, Modbus RTU protocol	
Analog outputs	2 × 4-20 mA / 0-10 V, user settable	
Output scale width	Recommended: 20-100% of the range; > 10 × resolution in any case	
Enclosure	Grey ABS plastic, wall mount, protection class IP65	
Dimensions	H82 × W80 × D55 mm	
Remote sensor probe	Protection IP65, shielded cable default cable length 3.0 m	
Operating environment	Industrial indoor and outdoor locations	
Operating conditions	(operating temperature is specified above) ≤ 95% RH non condensing; 0.9...1,1 atm Explosion-safe areas; Normal ambient O <sub>2</sub> level; Avoid exposure to corrosive gases or silicone containing products.	

### Wall mount version



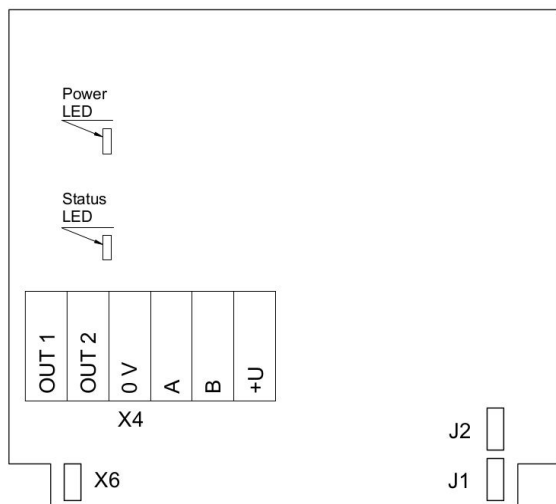
### Duct mount version



Ask for other versions or custom designed products



## Connection diagram



PCB without PSU and relays

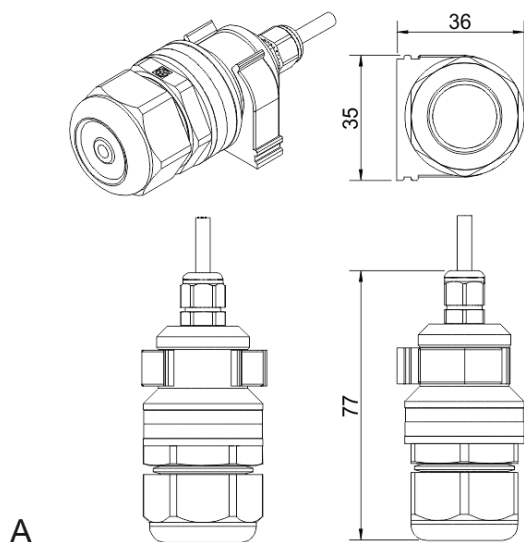
### Jumpers

- J1**                   OUT1 type (open: 4-20 mA; closed 0-10 V)
- J2**                   OUT2 type (open: 4-20 mA; closed 0-10 V)
- X6**                   Reset Modbus network parameters to default

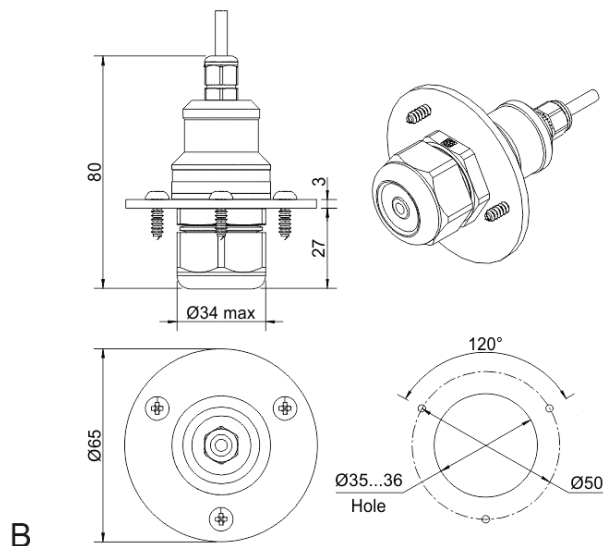
### X4 terminals

- OUT1**               4-20 mA / 0-10 V output
- OUT2**               4-20 mA / 0-10 V output
- 0V**                   0 V / 24 VAC Neutral (optional)
- A**                    RS485 A / Data +
- B**                    RS485 B / Data -
- +U**                   +24 VDC / 24 VAC Phase (optional)

## Remote probe



Wall mount remote probe with fixing clamp (default version)



Remote probe with rubber flange and three self-tapping screws (on request)

