

HR Series – General Purpose LVDT



- High Reliability
- Large core-to-bore clearance
- Operating temperature up to 220°C (option)
- Stroke ranges from ± 0.05 to ± 10 inches
- AC operation from 400Hz to 5kHz
- Stainless steel housing
- Imperial or metric threaded core
- Many options and accessories

DESCRIPTION

The **HR Series** general purpose LVDTs provide the optimum performance required for a majority of applications. The large 1/16 inch [1.6mm] bore-to-core radial clearance provides for ample installation misalignments and therefore reduces the application costs. Featuring a high output voltage and a broad operating frequency range, these versatile and highly reliable LVDTs deliver worry-free and precise position measurements.

Available in a variety of stroke ranges from ± 0.05 to ± 10 inches, the HR Series can be configured with a number of standard options including guided core, small diameter/low mass core and mild radiation resistance (10^{12} NVT total integrated flux; 10^7 rads Gamma). High temperature operation ($+220^\circ\text{C}$) and high pressure (vented case) versions are also available (*consult factory*). The HR Series is compatible with the full line of Measurement Specialties LVDT signal conditioners.

Like in most of our LVDTs, the HR windings are vacuum impregnated with a specially formulated, high temperature, flexible resin, and the coil assembly is potted inside its housing with a two-component epoxy. This provides excellent protection against hostile environments such as high humidity, vibration and shock.

Measurement Specialties, Inc. (NASDAQ MEAS) offers many other types of sensors and signal conditioners. Data sheets can be downloaded from our web site at: <http://www.meas-spec.com/datasheets.aspx>

MEAS acquired Schaevitz Sensors and the **Schaevitz**® trademark in 2000.

FEATURES

- 0.25% linearity (100% stroke)
- Large 1/16" core-to-bore clearance
- Shock and vibration tolerant
- Electromagnetic/electrostatic shielding
- Mild radiation resistance (optional)
- Calibration certificate supplied with each unit

APPLICATIONS

- Process control
- Factory automation
- Materials testing
- Metrology
- Applications with large misalignments
- General industrial

HR Series – General Purpose LVDT

PERFORMANCE SPECIFICATIONS

ELECTRICAL SPECIFICATIONS												
Parameter	HR 050	HR 100	HR 200	HR 300	HR 500	HR 1000	HR 2000	HR 3000	HR 4000	HR 5000	HR 7500	HR 10000
Stroke range	±0.05 [±1.27]	±0.1 [±2.54]	±0.2 [±5.08]	±0.3 [±7.62]	±0.5 [±12.7]	±1 [±25.4]	±2 [±50.8]	±3 [±76.2]	±4 [±101.6]	±5 [±127]	±7.5 [±190.5]	±10 [±254]
Sensitivity V/V/inch [mV/V/mm]	5.8 [228]	4.2 [165]	2.5 [98.4]	1.3 [51.2]	0.7 [27.6]	0.39 [15.4]	0.23 [9.1]	0.25 [9.8]	0.20 [7.9]	0.14 [5.5]	0.13 [5.1]	0.07 [2.8]
Output at stroke ends, mV/V (*)	290	420	500	390	350	390	460	750	800	700	975	700
Phase shift	-1°	-5°	-4°	-11°	-1°	-3°	+5°	+11°	+1°	+3°	+1°	-5°
Input impedance (PRIMARY)	430Ω	1070Ω	1150Ω	1100Ω	460Ω	460Ω	330Ω	315Ω	275Ω	310Ω	260Ω	550Ω
Output impedance (SECONDARY)	4000Ω	5000Ω	4000Ω	2700Ω	375Ω	320Ω	300Ω	830Ω	400Ω	400Ω	905Ω	750Ω
Non-linearity	% of FR											
@ 50% stroke	0.10	0.10	0.10	0.10	0.15	0.15	0.15	0.15	0.15	0.15	/	0.15
@100% stroke (maximum)	0.25	0.25	0.25	0.25	0.25	0.25	0.25	0.25	0.25	0.25	0.25	0.25
@125% stroke	0.25	0.25	0.25	0.35	0.35	1.00	0.50**	0.50**	0.50**	1.00**	/	1.00**
@150% stroke	0.50	0.50	0.50	0.50	0.75	1.30**	1.00**	1.00**	1.00**	/	/	/
Input voltage	3 VRMS sine wave											
Input frequency	400Hz to 5kHz											
Test frequency	2.5kHz											
Null voltage	0.5% of FSO, maximum											

ENVIRONMENTAL SPECIFICATIONS & MATERIALS	
Operating temperature	-65°F to +300°F [-55°C to 150°C]
Shock survival	1,000 g (11ms half-sine)
Vibration tolerance	20 g up to 2KHz
Housing material	AISI 400 Series stainless steel
Electrical connection	Six lead-wires, 28 AWG stranded Copper, PTFE insulated, 1 foot [30cm] long

Notes:

Dimensions are in inch [mm]

All values are nominal unless otherwise noted

Electrical specifications are for the test frequency indicated in the table

FR: Full Range is the stroke range, end to end; FR=2xS for ±S stroke range

FSO (Full Scale Output): Largest absolute value of the outputs measured at the ends of the range

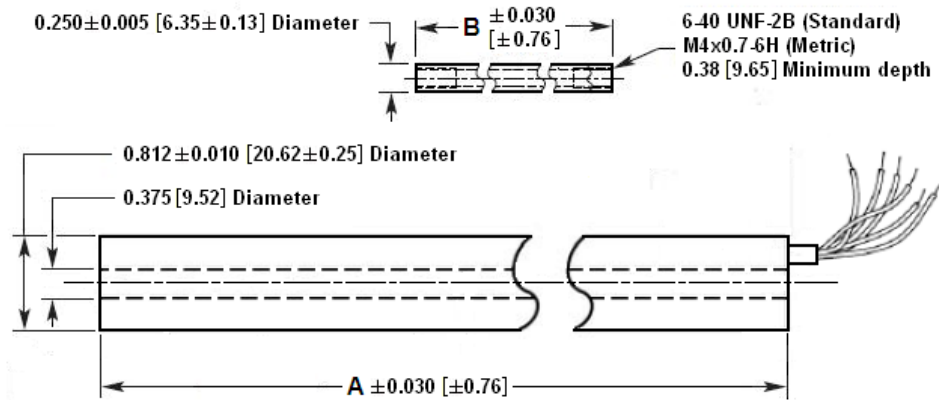
** Requires special reduced core length

(*) Unit for output at stroke ends is millivolt per volt of excitation (input voltage)

HR Series – General Purpose LVDT

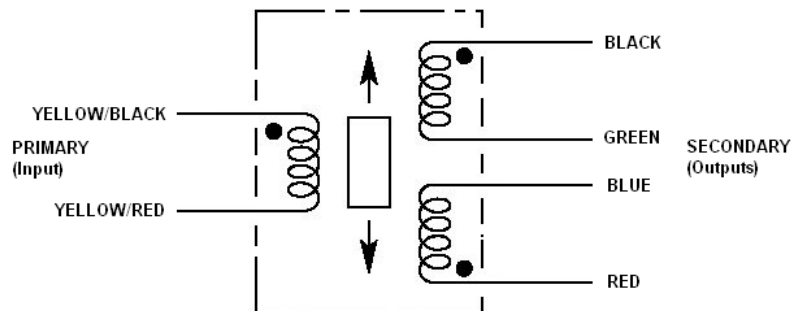
MECHANICAL SPECIFICATIONS

	HR 050	HR 100	HR 200	HR 300	HR 500	HR 1000	HR 2000	HR 3000	HR 4000	HR 5000	HR 7500	HR 10000
Body length "A"	1.13 [28.7]	1.81 [46.0]	2.50 [63.5]	3.22 [81.8]	5.50 [139.7]	6.63 [168.4]	10.00 [254]	12.82 [325.6]	15.64 [397.3]	17.88 [454.2]	24.09 [611.9]	30.85 [783.6]
Core length "B"	0.80 [20.3]	1.3 [33.0]	1.65 [41.9]	1.95 [49.5]	3.45 [87.6]	4.00 [101.6]	5.30 [134.6]	5.60 [142.2]	7.00 [177.8]	7.00 [177.8]	7.00 [177.8]	8.50 [215.9]
Body weight, oz [g]	1.13 [32]	1.69 [48]	2.12 [60]	2.72 [77]	3.85 [109]	4.45 [126]	5.93 [168]	7.94 [225]	10.41 [295]	11.99 [340]	16.16 [458]	20.46 [580]
Core weight, oz [g]	0.14 [4]	0.21 [6]	0.28 [8]	0.35 [10]	0.64 [18]	0.74 [21]	0.95 [27]	0.99 [28]	1.27 [36]	1.27 [36]	1.27 [36]	1.52 [43]



Dimensions are in inch [mm]

WIRING INFORMATION



Connect blue (BLU) to green (GRN) for differential output

HR Series – General Purpose LVDT

ORDERING INFORMATION

Description	Model	Part Number
±0.05 inch LVDT	HR 050	02560389-000
±0.1 inch LVDT	HR 100	02560390-000
±0.2 inch LVDT	HR 200	02560391-000
±0.3inch LVDT	HR 300	02560392-000
±0.5 inch LVDT	HR 500	02560394-000
±1 inch LVDT	HR 1000	02560395-000

Description	Model	Part Number
±2 inch LVDT	HR 2000	02560396-000
±3 inch LVDT	HR 3000	02560398-000
±4 inch LVDT	HR 4000	02560399-000
±5 inch LVDT	HR 5000	02560400-000
±7.5 inch LVDT	HR 7500	02561011-000
±10 inch LVDT	HR 10000	02560401-000

OPTIONS		
5.0 kHz calibration	HR 050, 100, 200 and 500 only	XXXXXXXX-002
Metric threaded core	All	XXXXXXXX-006
Guided core	All	XXXXXXXX-010
Small-diameter/low-mass core <i>(consult factory for mass and dimensions)</i>	Consult factory	XXXXXXXX-020
Mild radiation resistance	All	XXXXXXXX-080

*Note: Add multiple option dash numbers together to determine proper ordering suffix
Example: HR 1000, ±1 inch, with 5 kHz calibration and mild radiation resistance, P/N 02560395-082*

ACCESSORIES	
Core connecting rod, 6 inches long, 6-40 threads	05282947-006
Core connecting rod, 12 inches long, 6-40 threads	05282947-012
Core connecting rod, 24 inches long, 6-40 threads	05282947-024
Core connecting rod, 36 inches long, 6-40 threads	05282947-036
Core connecting rod, 6 inches long, M4x0.7 metric threads	05282978-006
Core connecting rod, 12 inches long, M4x0.7 metric threads	05282978-012
Mounting block	04560952-000

Refer to our "[Accessories for LVDTs](#)" data sheet for our LVDT signal conditioning instrumentation and other accessories.

TECHNICAL CONTACT INFORMATION

NORTH AMERICA	EUROPE	ASIA
Measurement Specialties, Inc. 1000 Lucas Way Hampton, VA 23666 United States Phone: +1-800-745-8008 Fax: +1-757-766-4297 Email: sales@meas-spec.com Web: www.meas-spec.com	MEAS Deutschland GmbH Hauert 13 D-44227 Dortmund Germany Phone: +49-(0)231-9740-0 Fax: +49-(0)231-9740-20 Email: info.de@meas-spec.com Web: www.meas-spec.com	Measurement Specialties China Ltd. No. 26, Langshan Road High-tech Park (North) Nanshan District, Shenzhen 518057 China Phone: +86-755-33305088 Fax: +86-755-33305099 Email: info.cn@meas-spec.com Web: www.meas-spec.com

The information in this sheet has been carefully reviewed and is believed to be accurate; however, no responsibility is assumed for inaccuracies. Furthermore, this information does not convey to the purchaser of such devices any license under the patent rights to the manufacturer. Measurement Specialties, Inc. reserves the right to make changes without further notice to any product herein. Measurement Specialties, Inc. makes no warranty, representation or guarantee regarding the suitability of its product for any particular purpose, nor does Measurement Specialties, Inc. assume any liability arising out of the application or use of any product or circuit and specifically disclaims any and all liability, including without limitation consequential or incidental damages. Typical parameters can and do vary in different applications. All operating parameters must be validated for each customer application by customer's technical experts. Measurement Specialties, Inc. does not convey any license under its patent rights nor the rights of others.