



Description & Features:

- Simple 2 button operation
- Re-zero feature and peak pressure reading
- Backlight turns on when on/off button is pressed and with pressure changes
- 316L welded diaphragm seal
- Rubber boot is standard
- 5 year warranty

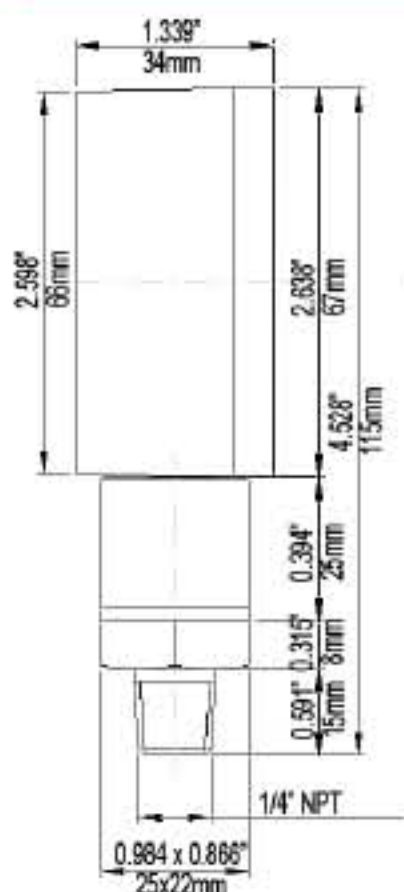
Applications:

- Ideal for commercial and industrial applications in both test measurement and general purpose installations.

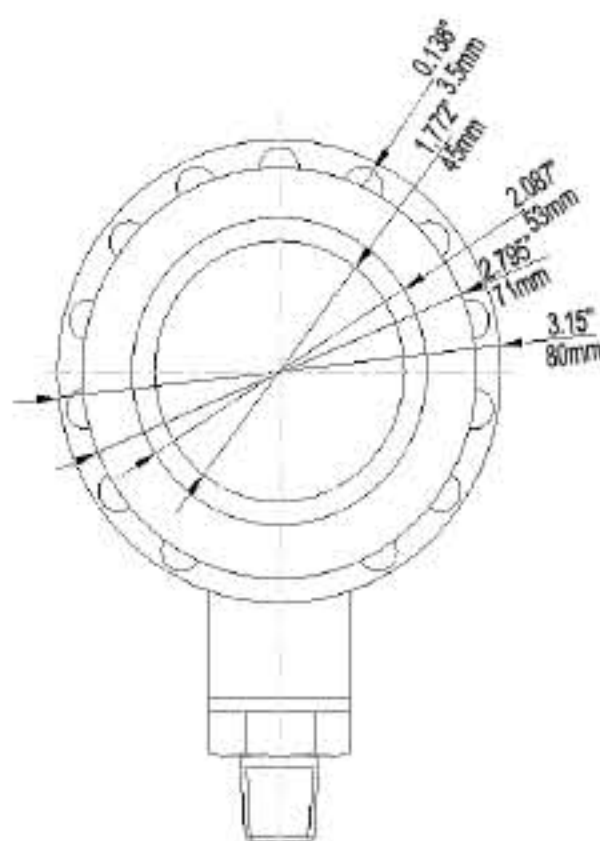
Specifications	
Case Size	2.5" (63mm)
Case Material	ABS (IP64)
Rubber Boot	Silicone rubber (IP65)
LCD Display	2" x 3/4" (48mm x 16mm)
Connection	1/4" NPT 304SS
Sensor	316L welded, Piezo
Operation Life	1 million cycles
Power Supply	2 x AAA battery (1.5V)
Battery Life	2 yrs (auto shut-off mode)
Power Mode	Auto or manual shut-off
Display Digits	4 digits to 5,000 psi 5 digits for 10,000 psi
Resolution	1 digit
Pressure Unit Selection	psi, mmH ₂ O, mmHg, mbar, kPa ≤ 100 psi psi, bar, kg/cm ² , mPa, atm ranges ≥ 160 psi
Operation Mode	Continuously reading or peak pressure reading
Response Time	≤3 Hz display refresh rate
Proof / Burst Pressure	200% / 300% FS
Operating / Storage Temperature	14°F to 122°F (-10°C to 50°C) -4°F to 167°F (-20°C to 75°C)
Accuracy	±0.5%

Order Codes

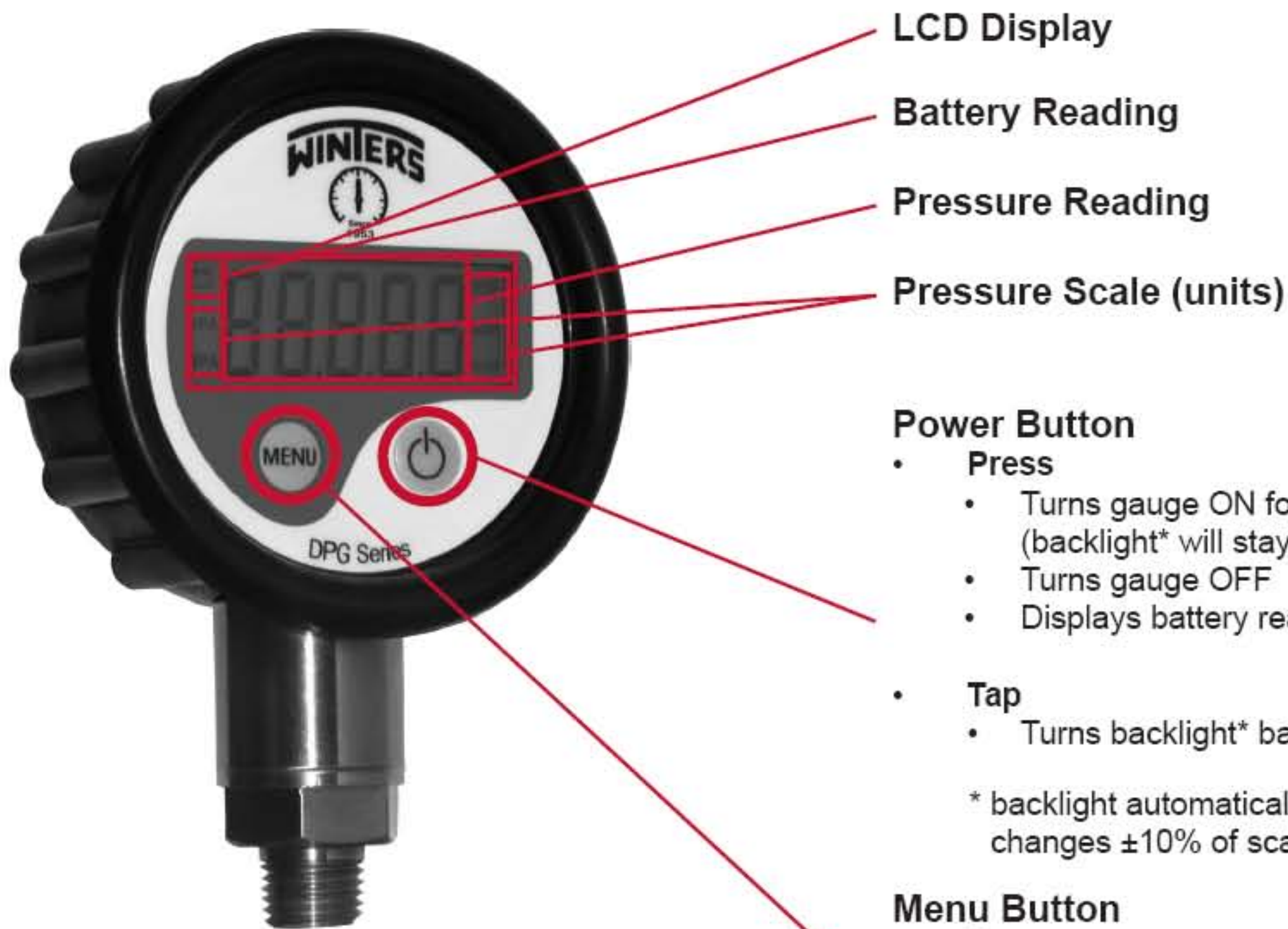
Dial Size	2.5" (63mm)
Connection	1/4" Bottom
Socket	SS
30" Hg Vac	DPG210
30"/0/15 psi	DPG203
30"/0/30 psi	DPG204
30"/0/60 psi	DPG205
30"/0/100 psi	DPG206
0/15 psi	DPG211
0/30 psi	DPG212
0/60 psi	DPG213
0/100 psi	DPG214
0/160 psi	DPG215
0/200 psi	DPG216
0/300 psi	DPG217
0/600 psi	DPG218
0/1,000 psi	DPG219
0/1,500 psi	DPG220
0/2,000 psi	DPG221
0/3,000 psi	DPG222
0/5,000 psi	DPG223
0/10,000 psi	DPG224



DPG SERIES
without rubber cover



DPG SERIES
with rubber cover



LCD Display

Battery Reading

Pressure Reading

Pressure Scale (units)

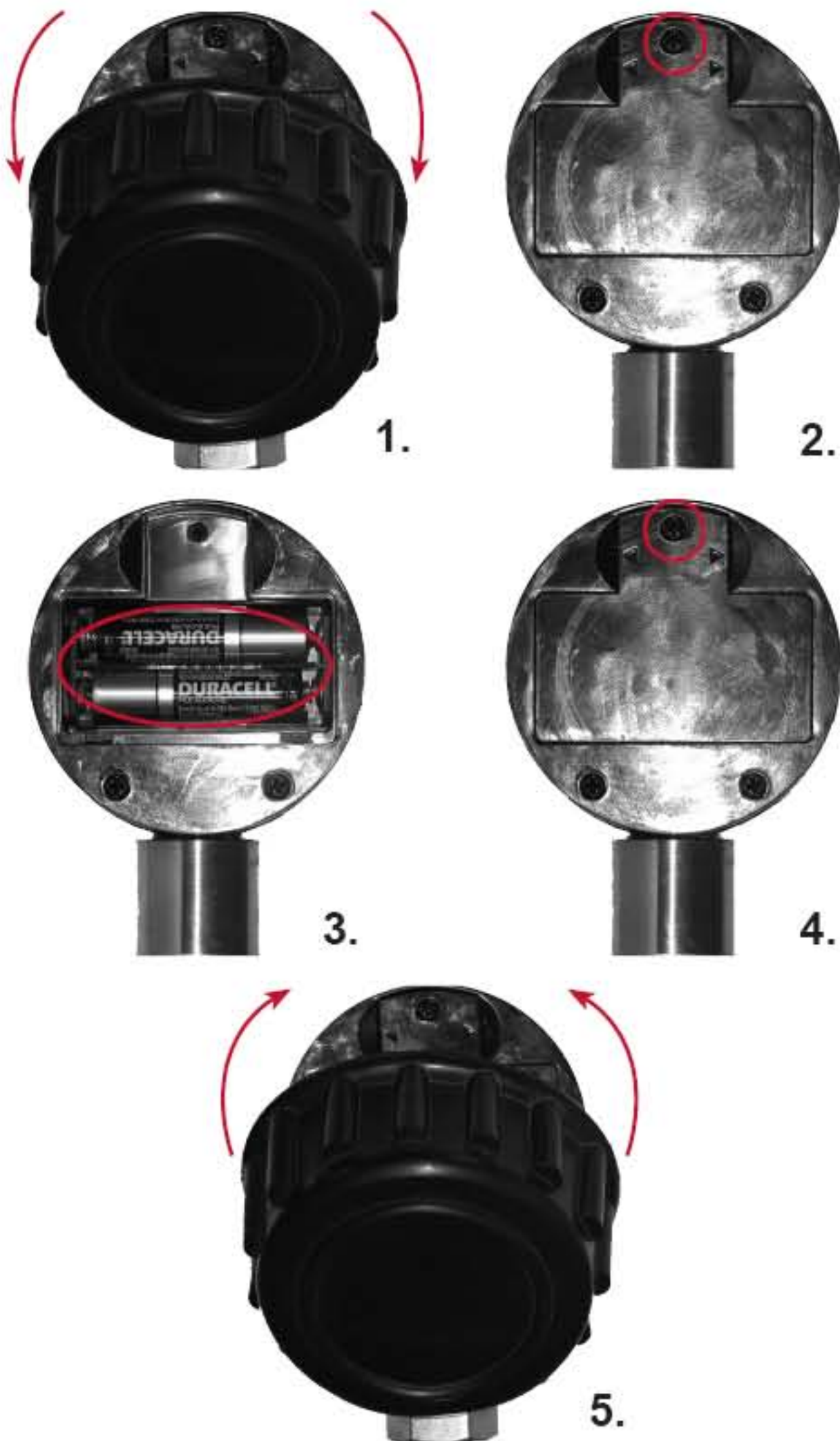
Power Button

- Press
 - Turns gauge ON for 1 minute (backlight* will stay on for 10 sec)
 - Turns gauge OFF
 - Displays battery reading during power ON
- Tap
 - Turns backlight* back on for 10 sec

* backlight automatically comes on when pressure changes $\pm 10\%$ of scale (when gauge is ON)

Menu Button

- Press
 - Changes pressure units (psi, mH₂O, mbar, kPa ≤ 100 psi, psi, bar, Kg/cm², MPa ≥ 160 psi)



To Change Batteries

1. Remove Rubber Boot
2. Remove Top Phillips Screw to Open Cover
3. Exchange Batteries
4. Close Cover and Re-install Screw
5. Re-install Rubber Boot