

R30D – DC Operated, Light Weight RVDT



- Bipolar DC operation
- ± 60 degree sensing range
- Light-weight
- Non-contact design
- Wide operating temperature range
- Size 11 servo mount
- Anodized aluminum housing

DESCRIPTION

The **R30D RVDT** (Rotary Variable Differential Transformer) is a DC operated non-contacting rotary position transducer. Integrated signal conditioning enables the R30D to operate from a bipolar ± 15 VDC supply, and provide a high level DC output that is proportional to the full angular sensing range of the device. Calibrated for operation over ± 30 degrees, the R30D provides a ± 3.75 VDC output, with a non-linearity of less than $\pm 0.25\%$ of full range. Extended range operation up to a maximum of ± 60 degrees is possible with increased non-linearity.

Internally, the DC supply voltage is converted into an AC carrier signal which excites the primary coil of the sensor. An integrated demodulator amplifier with low-pass filter converts the differential secondary output into a smooth, high level, linear DC output signal relative to the angular position of the shaft.

High reliability and performance are achieved through the use of a specially shaped rotor and wound coil that together simulates the linear displacement of a Linear Variable Differential Transformer (LVDT). Non-contact electromagnetic coupling of the rotor provides infinite resolution thus enabling absolute measurements to a fraction of a degree.

The R30D features a rugged aluminum size 11 housing making this rotary position sensor ideal for applications where integrated signal conditioning and small size are required.

Also see our other angular position sensor models, **R60D** ($\pm 60^\circ$, bipolar DC operation), **RVIT-15 Series** (single ended DC operation, voltage or current output), **R120LC** ($+5$ VDC operation, low cost) and **R30A/R36AS** (AC operation).

Measurement Specialties, Inc. (NASDAQ MEAS) offers many other types of sensors and signal conditioners. Data sheets can be downloaded from our web site at: <http://www.meas-spec.com/datasheets.aspx>

MEAS acquired Schaevitz Sensors and the **Schaevitz**® trademark in 2000.

FEATURES

- Extended operation up to $\pm 60^\circ$
- High level, low noise DC output
- Long term reliability
- Excellent temperature performance
- Rugged anodized aluminum housing
- Shielded ABEC 3 precision bearings

APPLICATIONS

- Hydraulic pump control
- Throttle lever position feedback
- Rotary actuator feedback
- Dancer arm position
- Reeler/Dereeler
- Valve position

R30D – DC Operated, Light Weight RVDT

PERFORMANCE SPECIFICATIONS

ELECTRICAL SPECIFICATIONS			
Angular range, degrees	±30° (standard)	±40°	±60°
Non-linearity, % of FR, max.	±0.25%	±0.5%	±2%
Output at range ends	±3.75VDC	±5.00VDC	±7.50VDC
Sensitivity	0.125 V/degree		
Temp coefficient of sensitivity	0.04%/°F [0.07%/°C], over operating temperature range		
Input voltage	+/-15VDC ±10%		
Input current	25mA maximum		
Output current	5mA		
Output impedance	1 Ω maximum		
Frequency response	500Hz @ -3dB		

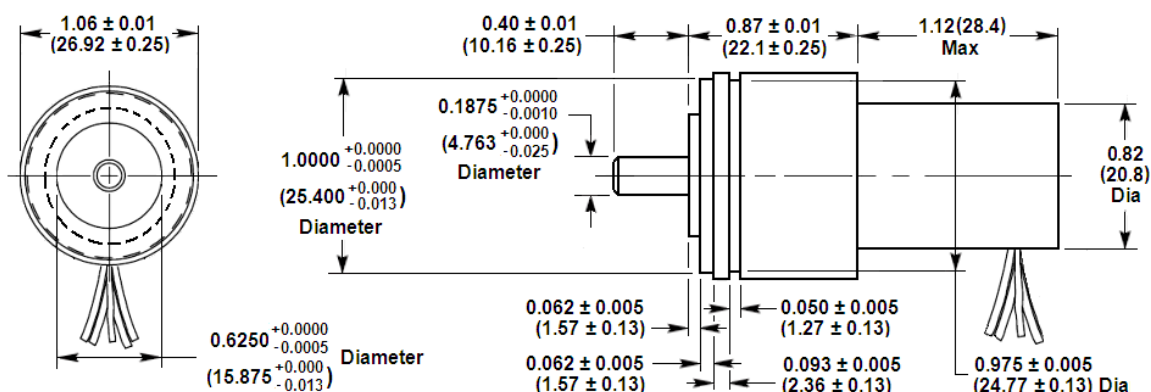
ENVIRONMENTAL AND MECHANICAL SPECIFICATIONS	
Operating temperature	0°F to +158°F [-18°C to 70°C]
Storage temperature	-67°F to +257°F [-55°C to 125°C]
Mechanical angular range	360 degrees (no stops)
Bearings	Shielded ABEC 3 precision
Shaft diameter	3/16 inch [4.76mm]
Housing material	Aluminum, anodized
Mounting	Size 11 servo mount BU-ORD
Moment of inertia	0.53 x 10 ⁻⁶ inch.lb-force.second ² [0.61 x 10 ⁻⁶ Kg-force.cm.second ²]
Maximum torque, unbalance	0.004 inch.ounce-force [0.3 gram-force.cm]
Maximum torque, friction	0.015 inch.ounce-force [1.1 gram-force.cm]
Shaft load capability	10 lb [4.5Kg] Axial; 8 lb [3.6 Kg] Radial
Electrical connection	4 lead wires, 28AWG , PTFE insulation, 12 inches [30cm] long
Weight	1.9 oz [54 grams]

Notes:

All values are nominal unless otherwise noted

FR (Full Range) is the angular range, end to end; 2xA° for ±A° angular range

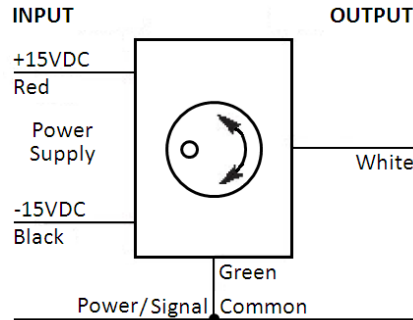
DIMENSIONS



Dimensions are in inch (mm)

R30D – DC Operated, Light Weight RVDT

WIRING INFORMATION



ORDERING INFORMATION

Description	Model	Part Number
RVDT $\pm 30^\circ$	R30D	02560234-000
OPTIONS		
RVDT with $\pm 40^\circ$ calibration	R30D-040	02560234-040
RVDT with $\pm 60^\circ$ calibration	R30D-060	02560234-060
ACCESSORIES		
R-FLEX multipurpose coupling kit	R-FLEX	66530072-000
Dual rail DC power supply ($\pm 15\text{VDC}$)	PSD 40-15	02291339-000

Refer to our [“RVDT and RVIT Accessories”](#) data sheet for other accessories.

TECHNICAL CONTACT INFORMATION

NORTH AMERICA	EUROPE	ASIA
Measurement Specialties, Inc. 1000 Lucas Way Hampton, VA 23666 United States Phone: +1-800-745-8008 Fax: +1-757-766-4297 Email: sales@meas-spec.com Web: www.meas-spec.com	MEAS Deutschland GmbH Hauert 13 D-44227 Dortmund Germany Phone: +49-(0)231-9740-0 Fax: +49-(0)231-9740-20 Email: info.de@meas-spec.com Web: www.meas-spec.com	Measurement Specialties China Ltd. No. 26, Langshan Road High-tech Park (North) Nanshan District, Shenzhen 518057 China Phone: +86-755-33305088 Fax: +86-755-33305099 Email: info.cn@meas-spec.com Web: www.meas-spec.com

The information in this sheet has been carefully reviewed and is believed to be accurate; however, no responsibility is assumed for inaccuracies. Furthermore, this information does not convey to the purchaser of such devices any license under the patent rights to the manufacturer. Measurement Specialties, Inc. reserves the right to make changes without further notice to any product herein. Measurement Specialties, Inc. makes no warranty, representation or guarantee regarding the suitability of its product for any particular purpose, nor does Measurement Specialties, Inc. assume any liability arising out of the application or use of any product or circuit and specifically disclaims any and all liability, including without limitation consequential or incidental damages. Typical parameters can and do vary in different applications. All operating parameters must be validated for each customer application by customer's technical experts. Measurement Specialties, Inc. does not convey any license under its patent rights nor the rights of others.