

Series A1

Digital Differential Pressure Gauge



The series A1 is a patent pending microprocessor based digital pressure gauge for positive, negative, and differential measurement designed to be a direct replacement for mechanical gauges. The Series A1 utilize an extremely stable piezoresistive sensing technology to give a standard full scale accuracy of 1%. For applications requiring better accuracy, the A1 is also available with 0.5% accuracy. The A1 also has an optional 4-20 mA output for applications requiring an output signal. The A1 features a bright ½" LED display, which gives the gauge improved readability and precision. The A1 also features 5 user selectable engineering units including in. w.c., mm w.c., cm w.c., kPa, and Pa. The Series A1 offers an improved look, and performance compare to mechanical gauges for a similar price.

Features

- Mounts in Industry Standard Holes
- Universal Power 16 – 265 VAC / VDC
- Accuracy 1% (better available)
- Large 0.5" LED Display
- Weatherproof Face
- 5 selectable engineering units
- Opti-Link™
- Optional 4-20 mA output

Applications

- Filter Status
- Duct Static Pressure
- Clean Room Pressure
- Building Pressure
- Fan and Blower Pressure
- Paint Booths
- Dust Collectors
- Glove Box Pressure
- Bubbler Systems
- Laminar Flow Hoods
- Cabinet Purging

SPECIFICATIONS

Maximum Pressure: Ranges $\leq 4''$ w.c. = 2 PSI; Ranges $\geq 5''$ w.c. = 10 PSI

Media compatibility: Air and compatible non combustible, non corrosive gasses

Accuracy*: Axxx0-xx - 1.00%; Axxx1-xx - 0.50%

Temperature Ranges:

Compensated: -10° to 140°F (-23° to 60°C)

Operating: -10° to 140°F (-23° to 60°C)

Thermal Effect*: +/- 0.012% FS/°F

Output Signal: 4-20 mA (option)

Loop Resistance: 750 Ω Max (for internally sourced power); 1800 Ω Max (for externally sourced power of 36 VDC)

Power Supply: Universal 16-265 VAC or VDC

Housing Material: Glass Filled Nylon

Enclosure Rating: Designed to meet NEMA 4X face; with optional cover the entire product is weatherproof

Electrical Connections: screw terminals

Response Time: <100 ms

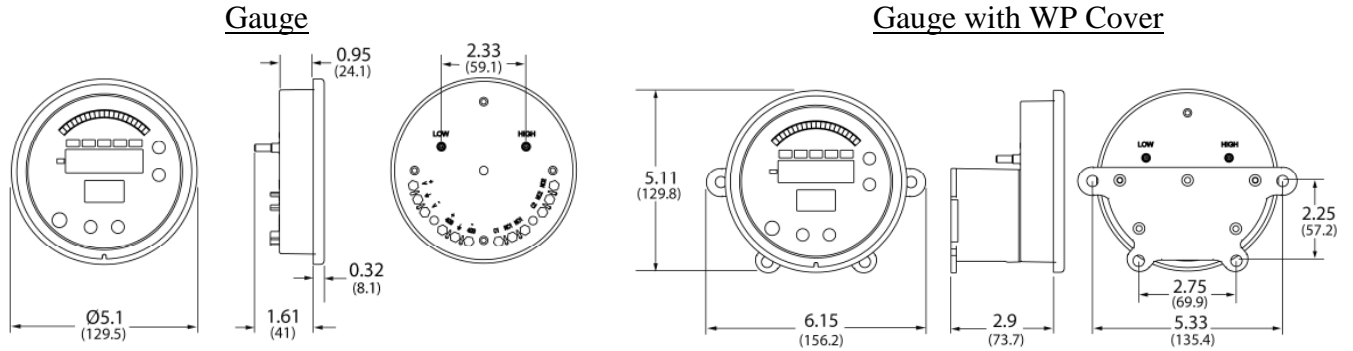
Display: 4 Digit, red LED, ½" digits

Process Connection: Push on connection for 3/16" tubing

Agency Approvals: Pending – UL, C-UL, CE

* Custom calibration including improved accuracy and thermal effect are available.

DIMENSIONAL DRAWINGS



ORDERING INFORMATION

Part Number Configuration

Example:	A1011-03			Description
Model	A			4 1/2" Housing
Display		1		LED Display
Function			0	Indication
Transmitter			0	None
			1	4-20 mA
Accuracy			0	1%
			1	0.50%
Pressure Range*			- 01	0 - 0.5"
			- 02	0 - 1"
			- 03	0 - 2"
			- 04	0 - 3"
			- 05	0 - 4"
			- 06	0 - 5"
			- 07	0 - 8"
			- 08	0 - 10"
			- 09	0 - 15"
			- 10	0 - 20"
			- 11	0 - 30"
*All ranges are bi-directional				

Sensocn, Inc.
 Phone: (863) 248-2800
 Fax: (863) 248-2798

www.sensocon.com

ACCESSORIES

OptiLink™ Programming Keys



PK-01 Universal programming key
PK-02 Keypad lock/unlock key

Weather Proof/Surface Mount Cover



A-101 Weather proof cover