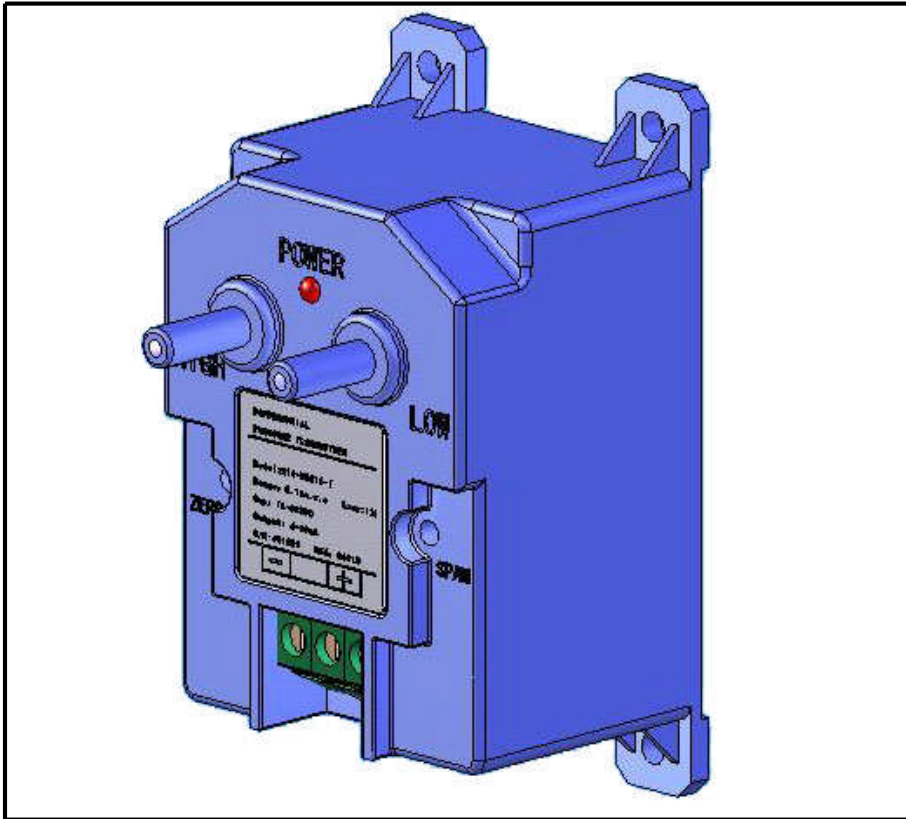


Series 211

Low-Cost Differential Pressure Transmitter



The Series 211 Differential Pressure Transmitter can accurately measure positive, negative, or differential pressure and send the corresponding 4-20 mA output signal. The Series 211 is not position sensitive and can be mounted in any orientation without compromising accuracy. It also features a power LED, so you always know when the transmitter is operating. The compact, lightweight design makes installation simple and easy.

Features

- Compact Design
- 0.25% Accuracy
- Compact Design
- LED Power Indication
- 2-Wire Design
- 4-20 mA output

Applications

- Filter Status
- Duct Static Pressure
- Fan and Blower Pressure
- Paint Booths
- Dust Collectors
- Glove Box Pressure
- Bubbler Systems
- Cabinet Purging

SPECIFICATIONS

Maximum Pressure: Ranges ≤ 5 PSI – Max 15 PSI
Ranges > 5 PSI – Max 30 PSI

Media compatibility: Air and compatible non combustible, non corrosive gasses

Accuracy: Ranges ≤ 4 " w.c. 1.0%
Ranges ≥ 5 " w.c. 0.25%

Temperature Ranges:

Compensated: 15° to 120°F (-10° to 50°C)

Operating: -10° to 155°F (-25° to 70°C)

Thermal Effect: +/- 0.028% FS/°F

Stability: +/- 0.25% FS/year

Output Signal: 4-20 mA, 2-wire

Loop Resistance: 250 Ω @ 24 VDC

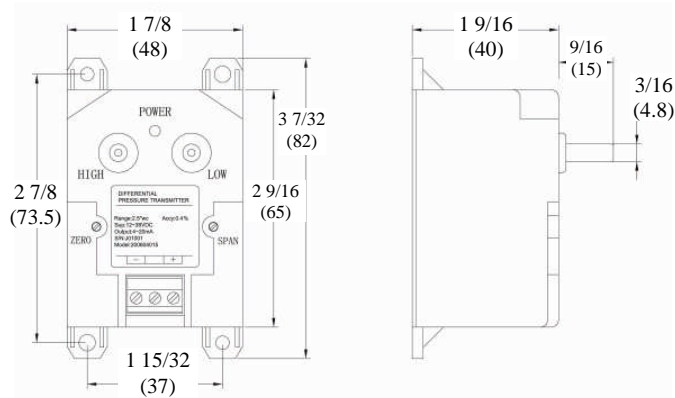
Power Supply: 12-30 VDC

Housing Material: ABS Plastic

Electrical Connections: screw terminals

Process Connection: Push on connection for $\frac{1}{8}$ " I.D. tubing

DIMENSIONAL DRAWINGS



ORDERING INFORMATION

Model Number	Pressure Range	Accuracy
211-D001I-1	0 – 1”	1%
211-D002I-1	0 – 2”	1%
211-D004I-1	0 – 4”	1%
211-D006I-3	0 – 6”	0.25%
211-D010I-3	0 – 10”	0.25%
211-D020I-3	0 – 20”	0.25%
211-D040I-3	0 – 40”	0.25%
211-D005P-3	0 – 5 PSI	0.25%
211-D010P-3	0 – 10 PSI	0.25%
211-D015P-3	0 – 15 PSI	0.25%
211-Z001I-1	0.5 – 0 – 0.5”	1%
211-Z002I-1	1 – 0 – 1”	1%
211-Z004I-1	2 – 0 – 2”	1%
211-Z010I-3	5 – 0 – 5”	0.25%

Sensocon, Inc.
Phone: (863) 248-2800
Fax: (863) 248-2798

www.sensocon.com

*Other Ranges available upon request.

A1xxx-xx



OTHER PRODUCTS

The Series A Family of products offers an alternative to the Series 211 when indication or more features are desired. The Series A Family is available with a 4-20 mA output and the A3 and A4 include 2 8A SPDT relays and an associated software package that allows full configuration of variables such as setpoints, dead band, engineering units and more. The A3 and A4 are also capable of reading out directly in velocity or flow.

A4xxx-xx

